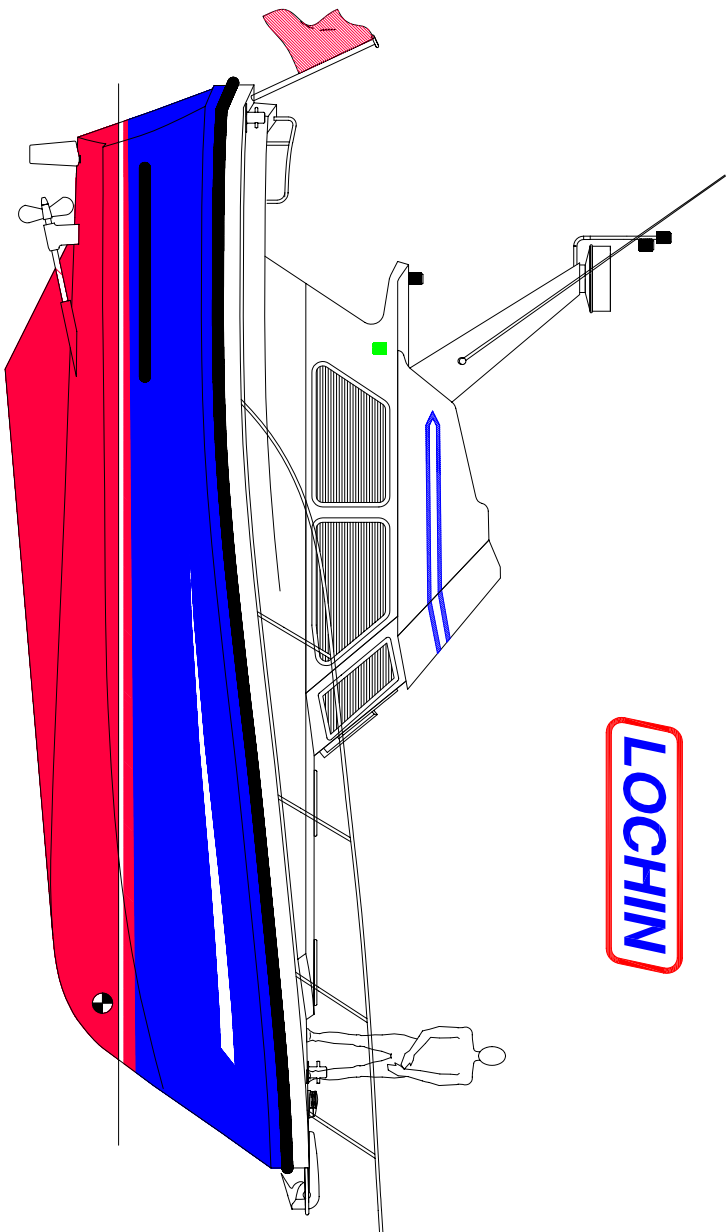
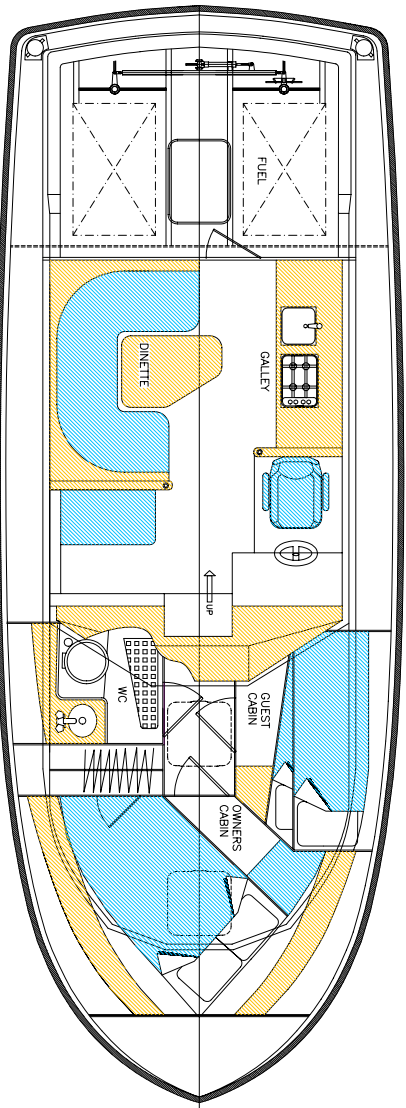
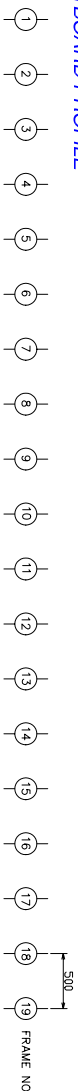


LOCHIN

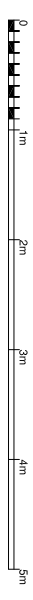


OUTBOARD PROFILE

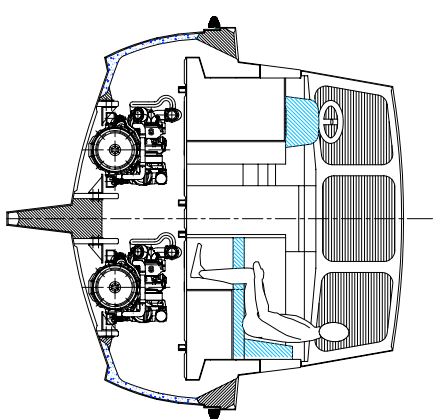


TYPICAL ACCOMMODATION PLAN

ERRATA/REVISION INFORMATION
 ANY CHANGES TO THIS DOCUMENT ARE
 COPIED, REPRODUCED, DISCLOSED OR SUBMITTED TO ANY THIRD PARTY OR USED FOR
 CONSTRUCTION OR MANUFACTURE WHOLE OR IN PART, OF ANY PRODUCT DEFINED
 WITHOUT PRIOR WRITTEN CONSENT OF LOCHIN MARINE INTERNATIONAL LTD



LOCHIN 333 MOTOR CRUISER GENERAL ARRANGEMENT TWIN ENGINE



TYPICAL MIDSHIP SECTION

DESIGN DATA SHEET	
MOULDED LENGTH	9.85m (32.34') EX FENDER
LOA	10.5m (34.45') AS ILLUSTRATED
BEAM	3.72m (12.2') INC FENDER
DRAFT (APPROX.)	0.75-1.1m (2.5-3.6') DEP. ON KEEL OPTION & DISP.
DISPLACEMENT RANGE	7.5 - 9 TONNES
WEATHERDECK FREEBOARD	500MM (1.64') APPROX @ 8 TONNES DISP.
PERFORMANCE	UP TO 27 KNOTS
FUEL CAPACITY	1000-1500 LITRES (220-330 GALLONS)
AIR DRAFT	2.64m (8.66') EX FLYBRIDGE
AIR DRAFT MAX	4.2m (13.78') INC. FLYBRIDGE & GANTRY
COCKPIT AREA	4.6m ² (49.5 sq ft)
COCKPIT LENGTH	1.9m (6.23')
COCKPIT WIDTH (MAX)	2.53m (8.3')
SLEEPING CAPACITY	6 PERSONS (AS ILLUSTRATED)
ROD CATEGORY	'B' OFFSHORE
MAX COMPLIMENT	14 PERSONS

LOCHIN

Lochin Marine International Ltd

The Yacht Harbour, Newhaven, Sussex BN9 9BY
 Tel: +44 (0) 1273 515085 Fax: +44 (0) 1273 512522

www.lochin.com sales@lochin.com

DESIGNED BY: ANGRAM LTD, NAVAL ARCHITECTS
 +44 (0) 1273 593713 www.angram.co.uk