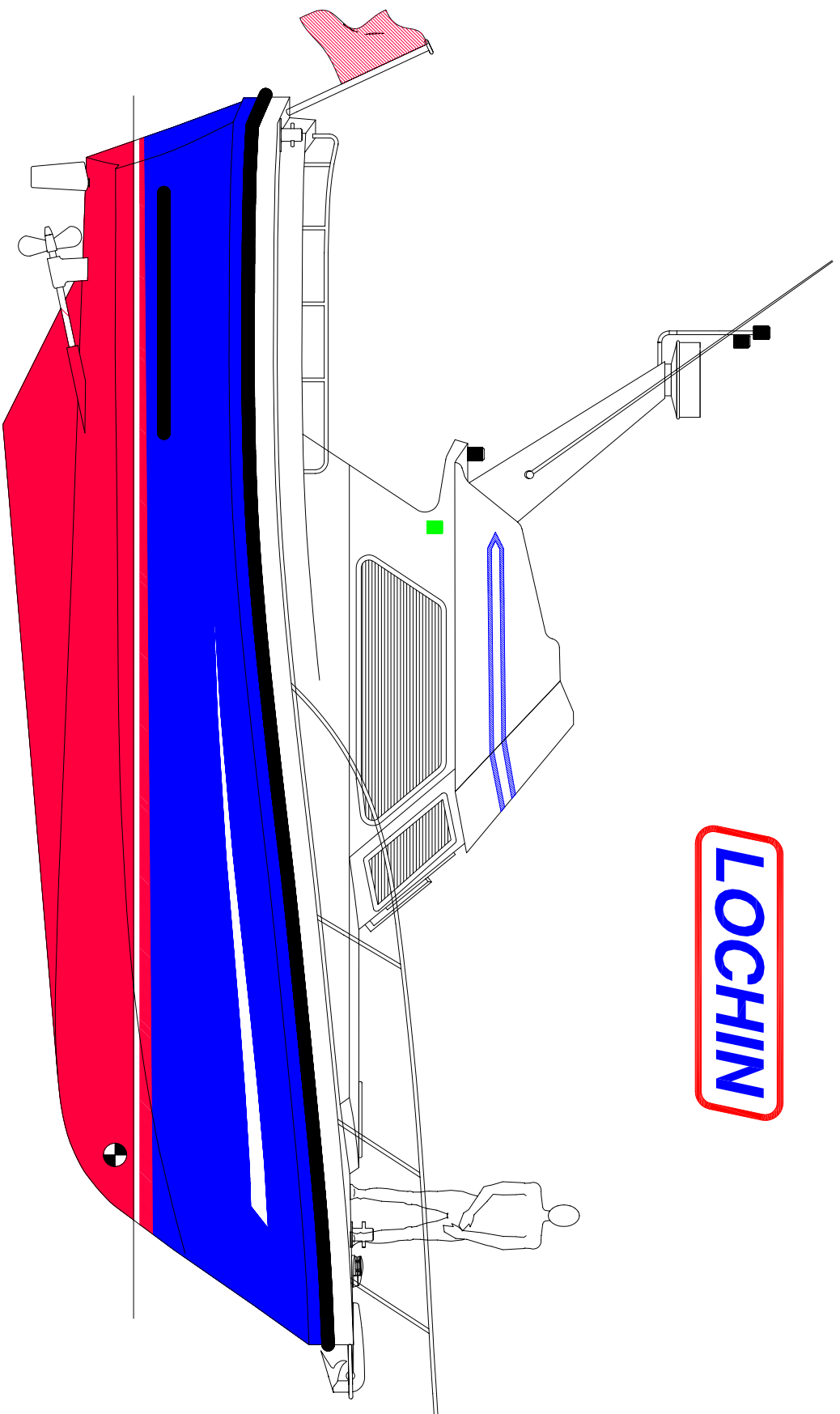
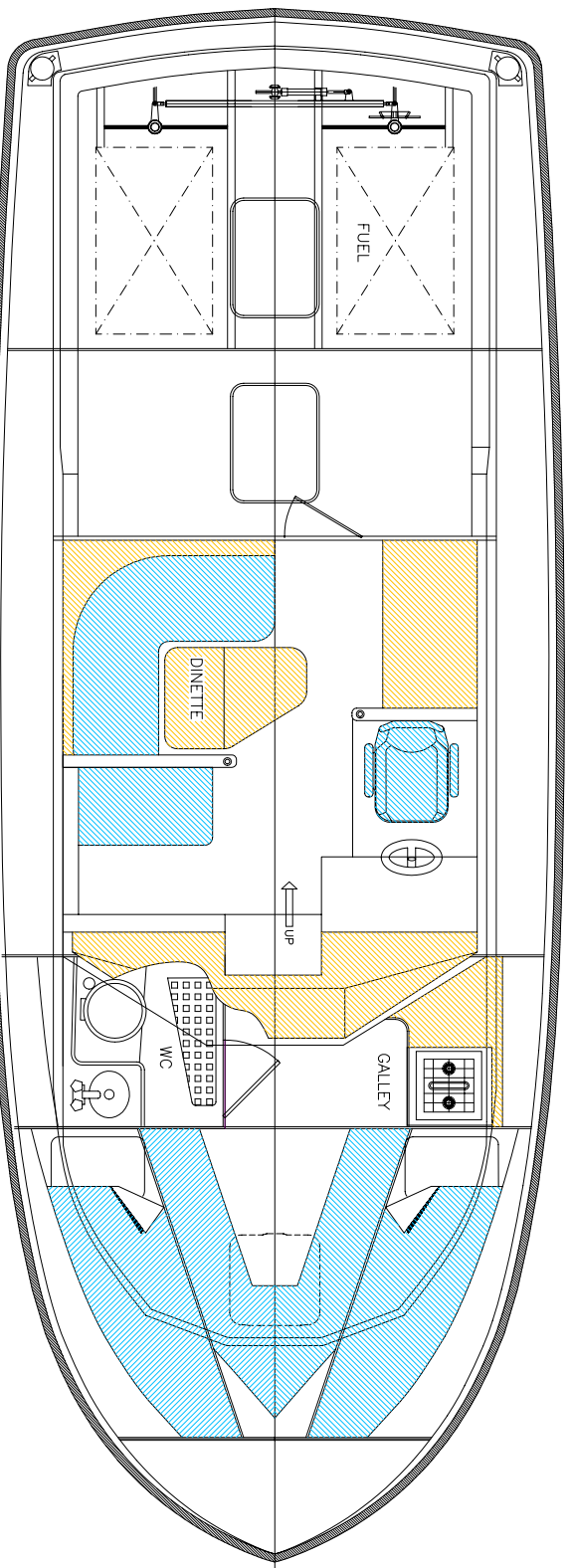
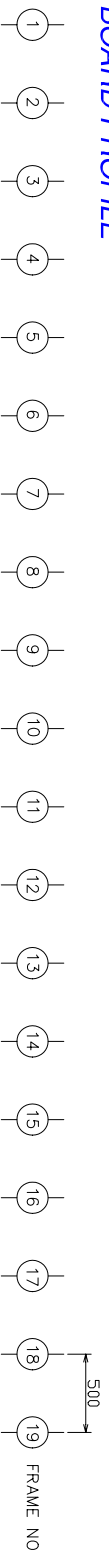


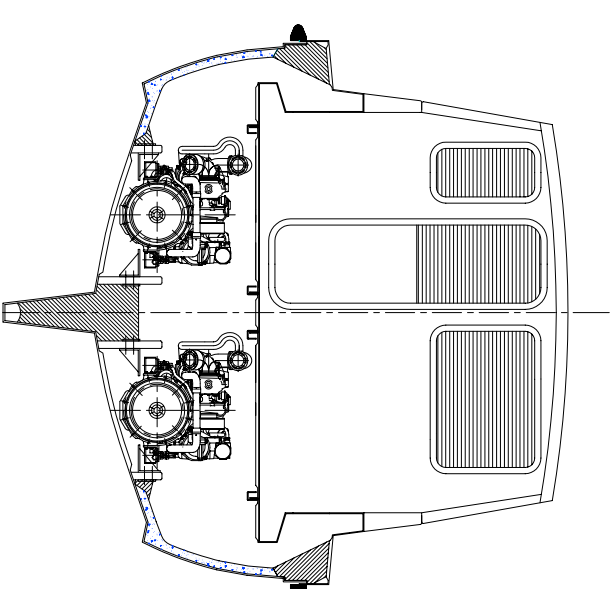
# LOCHIN 333 SPORTS CRUISER GENERAL ARRANGEMENT TWIN ENGINE



OUTBOARD PROFILE



TYPICAL ACCOMMODATION PLAN



TYPICAL MIDSHIP SECTION

**DESIGN DATA SHEET**

MOULDED LENGTH	9.85m (32.34')	EX FENDER
LOA	10.5m (34.45')	AS ILLUSTRATED
BEAM	3.72m (12.2')	INC FENDER
DRAFT (APPROX.)	0.75-1.1m (2.5-3.6')	DEP ON KEEL OPTION & DISP.
DISPLACEMENT RANGE	7.5 - 9 TONNES	
WEATHERDECK FREEBOARD	500MM (1.64')	APPROX @ 8 TONNES DISP.
PERFORMANCE	UP TO 27 KNOTS	
FUEL CAPACITY	1000-1500 LITRES (220-330 GALLONS)	
AIR DRAFT	2.64m (8.66')	EX FLYBRIDGE
AIR DRAFT MAX	4.2m (13.78')	FLYBRIDGE & GANTRY
COCKPIT AREA	7.4m <sup>2</sup> (79.6 sq ft)	
COCKPIT LENGTH	3.0m (9.84')	
COCKPIT WIDTH (MAX)	2.53m (8.3')	
SLEEPING CAPACITY	4 PERSONS (AS ILLUSTRATED)	
RCD CATEGORY	'B' OFFSHORE	
MAX COMPLEMENT	14 PERSONS	



**Lochin Marine International Ltd**

The Yacht Harbour, Newhaven, Sussex BN9 9BY

Tel: +44 (0) 1273 515085 Fax: +44 (0) 1273 512522

www.lochin.com sales@lochin.com

DESIGNED BY: AMGRAM LTD, NAVAL ARCHITECTS  
+44 (0) 1273 593713 www.amgram.co.uk

PROPRIETARY INFORMATION  
THIS DOCUMENT IS PROPRIETARY AND COPYRIGHT. NO DATA OR DESIGN SHALL BE COPIED, REPRODUCED, DISCLOSED OR SUBMITTED TO ANY THIRD PARTY OR USED FOR CONSTRUCTION OR MANUFACTURE WHOLE OR IN PART, OF ANY PRODUCT DEFINED WITHOUT PRIOR WRITTEN CONSENT OF LOCHIN MARINE INTERNATIONAL LTD